



FARMER

Mold & Machine Works Inc.

5 Station Cast On Strap Machine

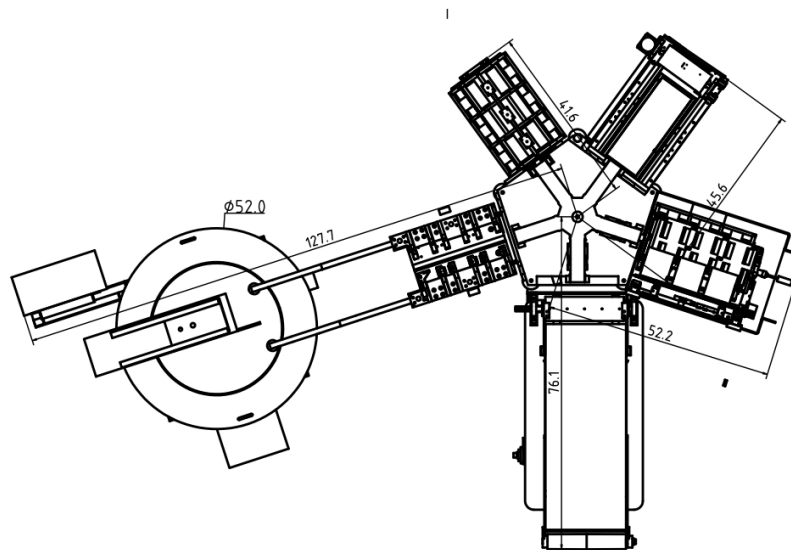
The Farmer Cast On Strap machine has been the work horse of the industry for over 35 years. From the early designs, which at the time revolutionized the battery assembly process, we have continued to improve on that solid design and foundation.

The larger Farmer 5 Station COS is especially suited for heavier battery types including 4D/8D, L16 and larger, and has been designed to handle two 6 volt batteries per cycle.

The addition of a lug pre heat and tinning station has been shown to improve the bond during the mold process.

Today's model boasts PLC Controls with operator interfaces. Hydraulic actions on all moving parts facilitate smoother machine function.

The Farmer COS machine offers one of the most attractive cost competitive solutions to your Cast on Strap needs.



Battery Manufacturing Equipment & Tooling Since 1938

3101 - 46th Avenue North
St. Petersburg, FL 33714
www.farmermold.com
Tel 727-522-0515
Fax 727-527-9894

Features

- PLC Controls with Operator Interface
- Production rates up to 4 batteries per minute
- Improved basket design for more reliable operation
- Improved ventilation in the loading and dropping stations
- Pre-heated quick change mold and manifold tooling available
- Gas or electric fired lead melting furnace

Benefits

- One of the smallest machine footprints available
- Robust main drive indexing system with additional main shaft support
- Centralized lubrication points
- Improved lead delivery system for improved strap thickness consistency.
- Improved basket component design resulting in reduced maintenance